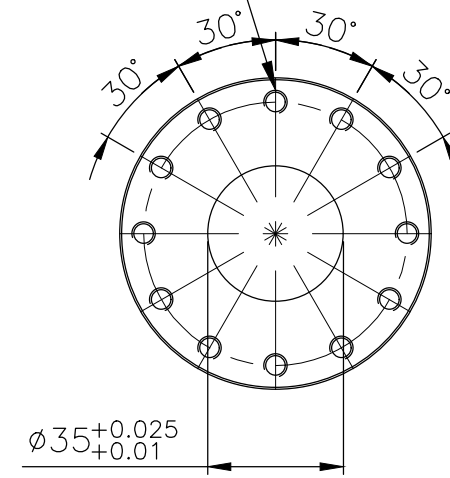
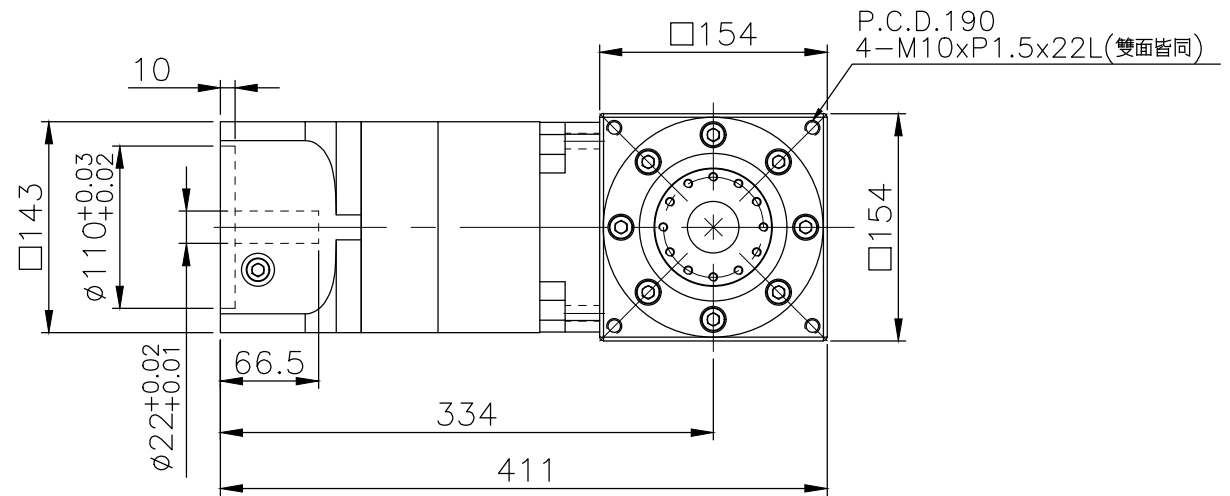
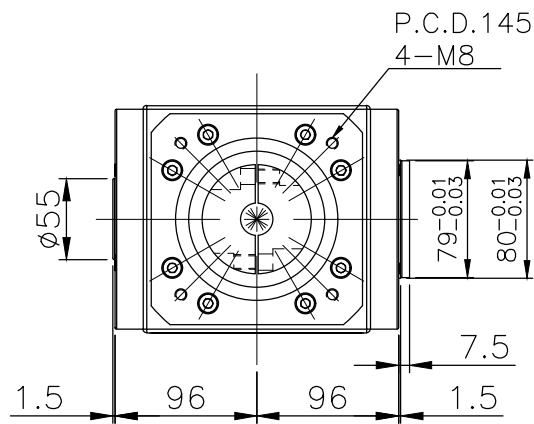


P.C.D.68  
12-M6xP1.0x15L



A VIEW



Material		DWG. NO.	2019	REV. NO.	2019
Treatment		PRT. NO.	RAH150-L2-XX-F-22-110-145-M8	Drawing	Aaron
Hardness		Scale		Check	