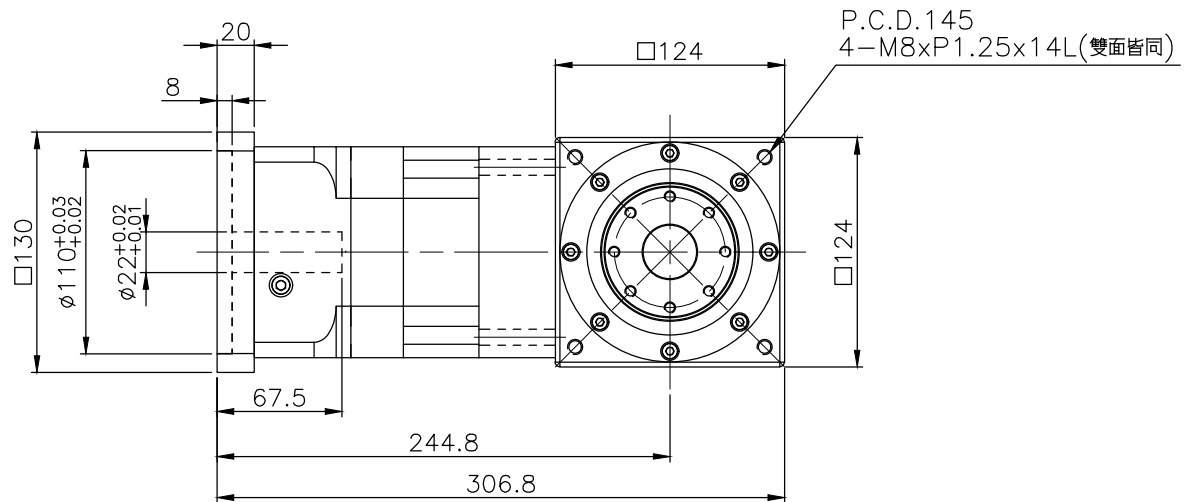
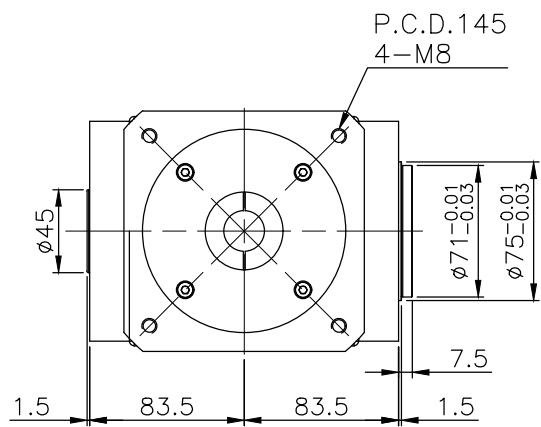


A VIEW



Material	
Treatment	
Hardness	

DWG. NO.	2019
PRT. NO.	RAM120-L2-XX-F-22-110-145-M8
Scale	連接圖

REV. NO.	2019
Drawing	Aaron
Check	