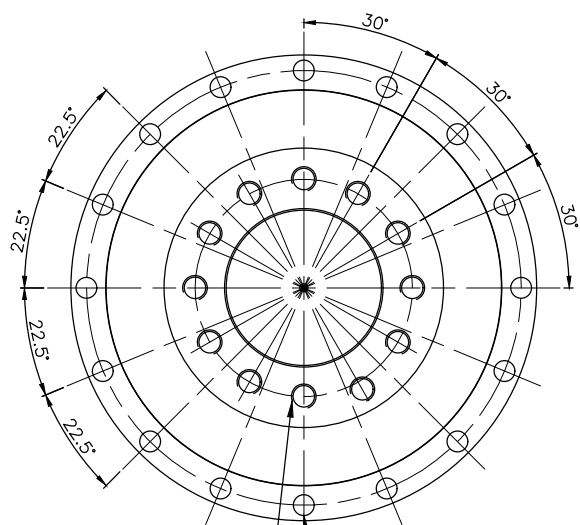
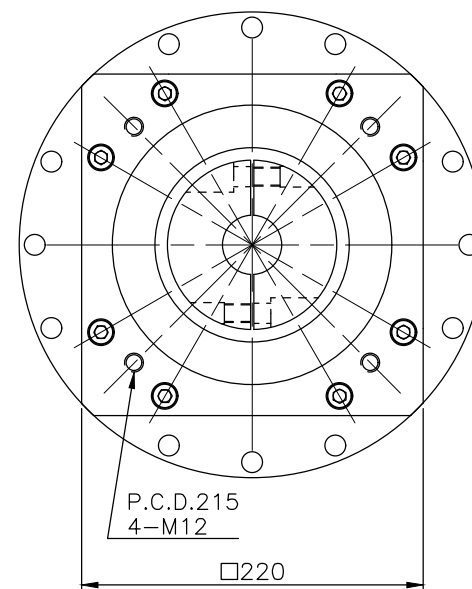
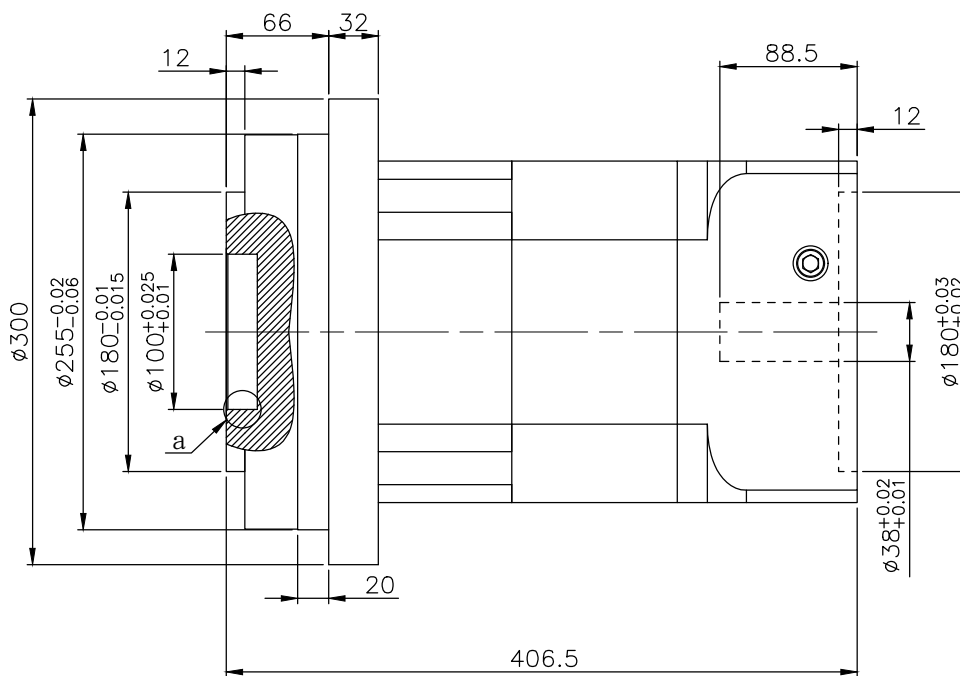


a 縮放圖
2:1



P.C.D.140
12-M16x30.5L

P.C.D.280
16- ϕ 13.5



P.C.D.215
4-M12

□220

Material	
Treatment	
Hardness	

DWG.NO.	2019	REV.NO.	2019
PRT.NO.	DF220-L2-XX-38-180-215-M12	Drawing	Aaron
Scale		Check	