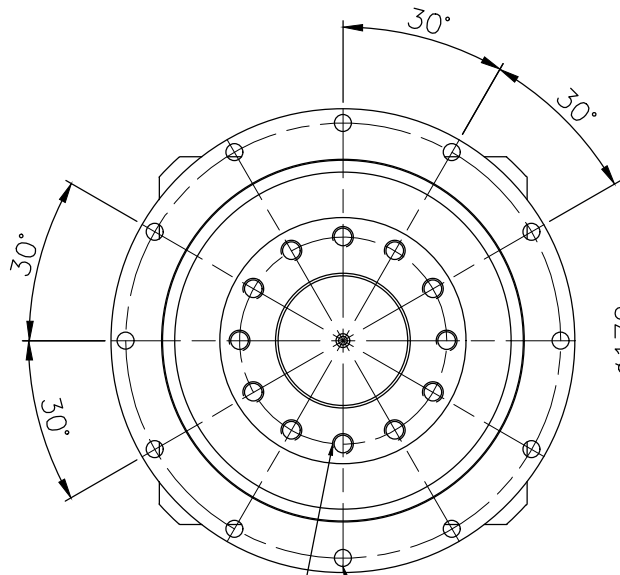
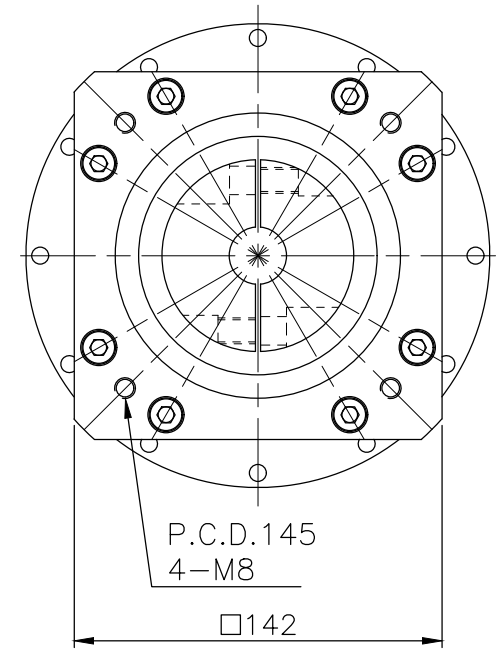
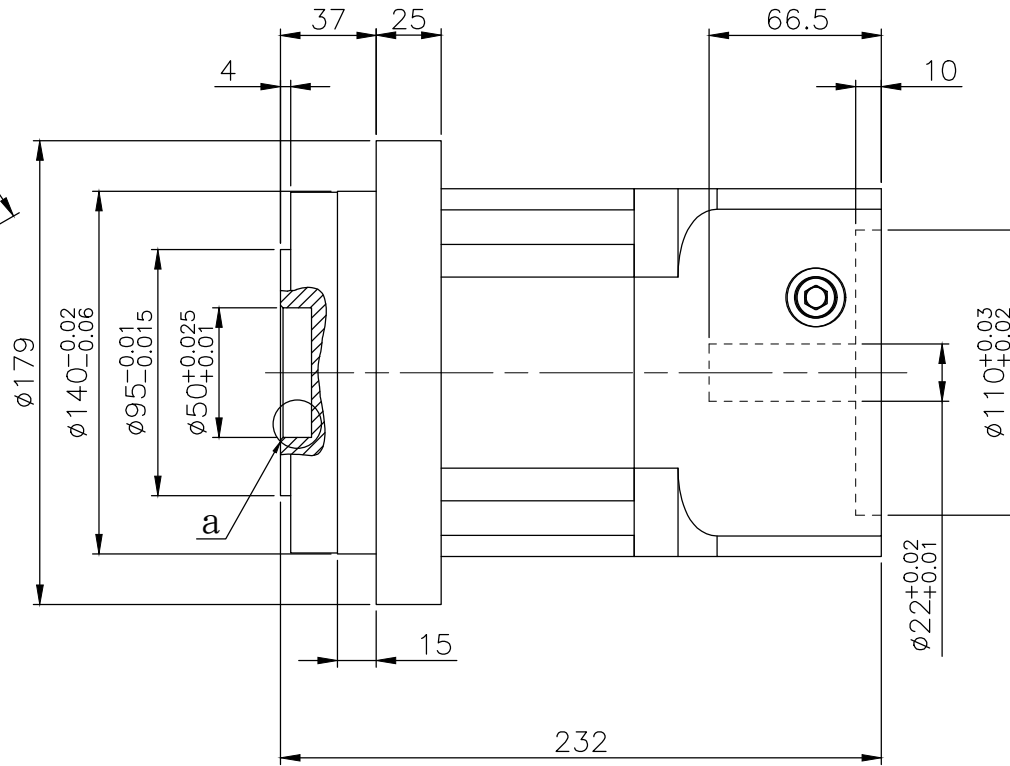


a 縮放圖  
2:1



P.C.D.80  
12-M8x17L

P.C.D.168  
12- $\phi$ 6.6



P.C.D.145  
4-M8

□142

Material	
Treatment	
Hardness	

DWG.NO.	2019
PRT.NO.	DF150-L1-XX-22-110-145-M8
Scale	

REV.NO.	2019
Drawing	Aaron
Check	