



OUTLINE DIMENSIONS  
3-PHASE INDUCTION MOTOR

MOTOR TYPE:  
AEVF--

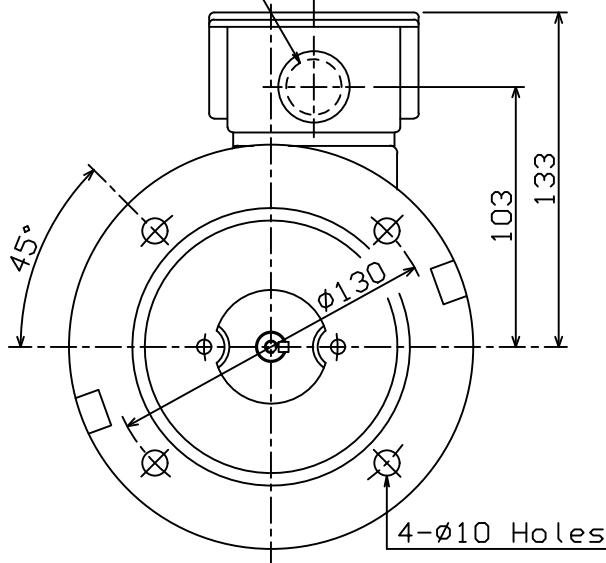
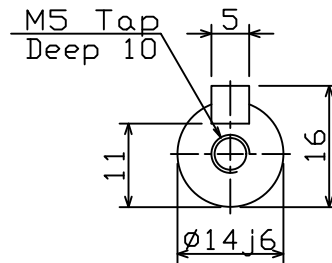
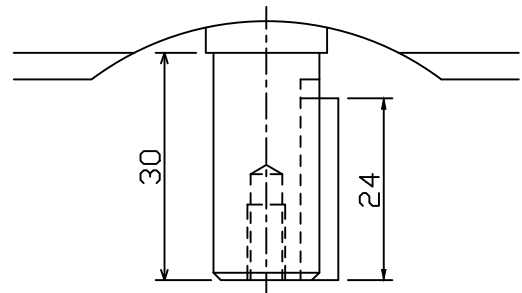
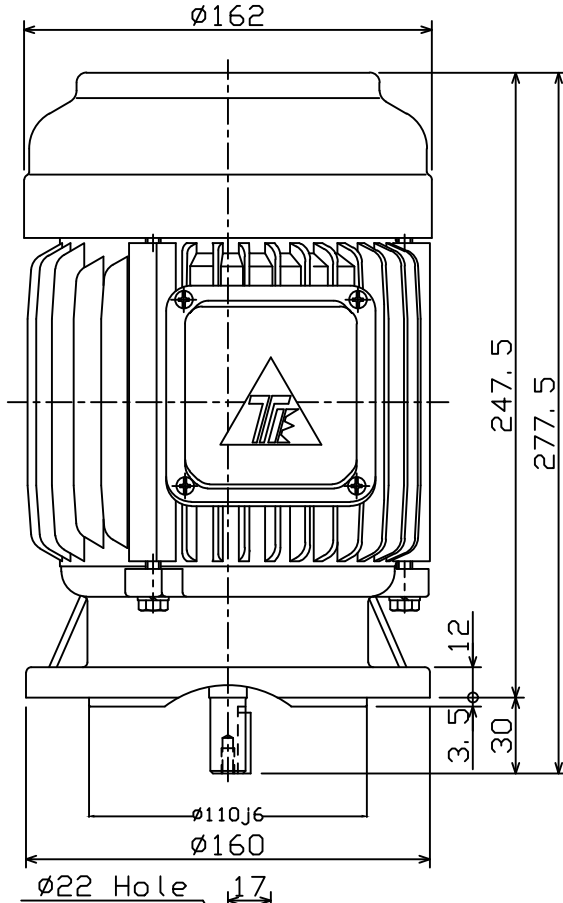
FRAME NO. 71

DATE

| Pole | HP  | kW   | Hz | VOLT | r/min(rpm) |
|------|-----|------|----|------|------------|
| 4    | 0.5 | 0.37 |    |      |            |

| Ins | Rating | Dimension in | Approx Weight | Bearings               |
|-----|--------|--------------|---------------|------------------------|
| E   | .      | mm           |               | DE: 6202ZZ NDE: 6202ZZ |

Totally Enclosed Fan-cooled Vertical Type. Squirrel-cage Rotor.



|              |         |     |
|--------------|---------|-----|
| ③ 10. 19. 04 | TE MARK | ??? |
|--------------|---------|-----|

|           |          |   |              |
|-----------|----------|---|--------------|
| DWN. ???  | 04-10-13 | 東元電機股份有限公司<br>TECO Electric & Machinery Co., Ltd.<br>TAIWAN | DWG NO.      |
| CHKD. ??? | 04-15-13 |   | 31049R216150 |
| APPD. ??? | 04-15-13 |   |              |

R