



OUTLINE DIMENSIONS
3-PHASE INDUCTION MOTOR

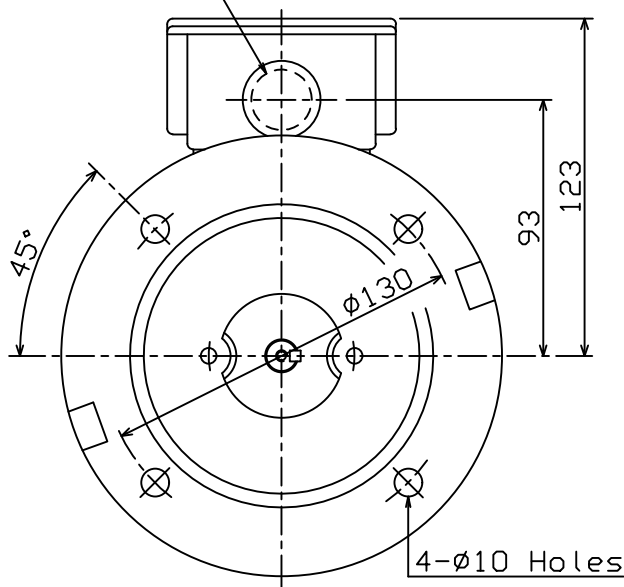
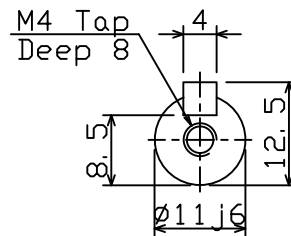
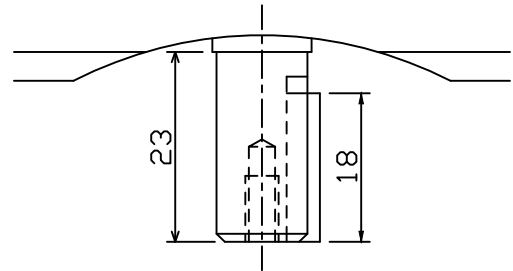
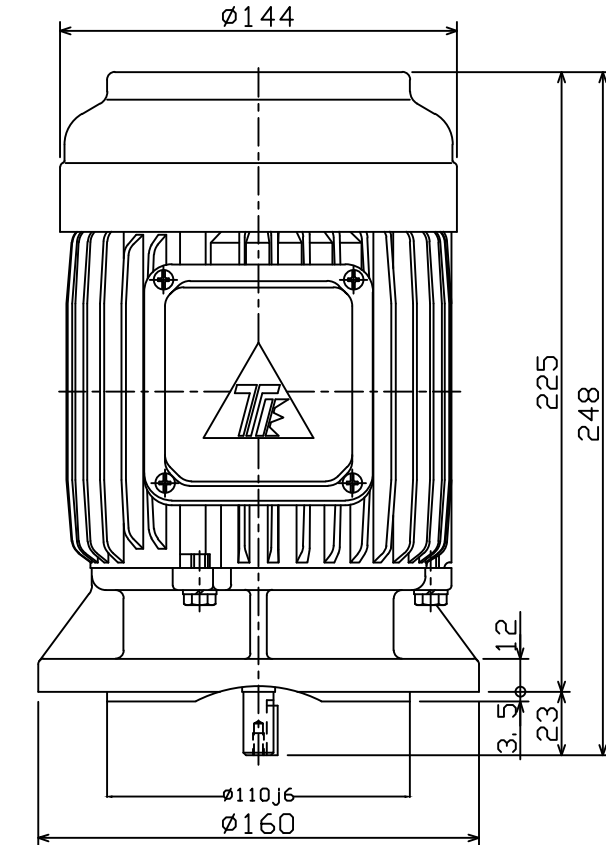
MOTOR TYPE: AEUF--
FRAME NO. 63

DATE

Pole	HP	kW	Hz	VOLT	r/min(rpm)
4	0.25	0.18		.	

Ins	Rating	Dimension in	Approx Weight	Bearings
E	.	mm		DE: 6201ZZ NDE: 6201ZZ

Totally Enclosed Fan-cooled Vertical Type. Squirrel-cage Rotor.



① 07. 13. 02

???

DWN.	???	04-10-13
CHKD.	???	04-15-13
APPD.	???	04-15-13

東元電機股份有限公司
TECO Electric & Machinery Co., Ltd.
TAIWAN

DWG NO.
31049R026720

R