



OUTLINE DIMENSIONS

MOTOR TYPE:

AEHF

DATE

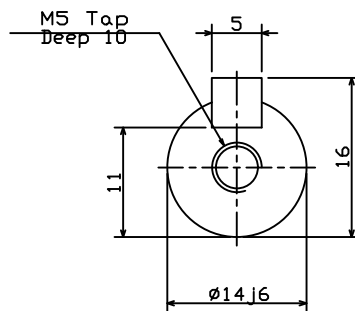
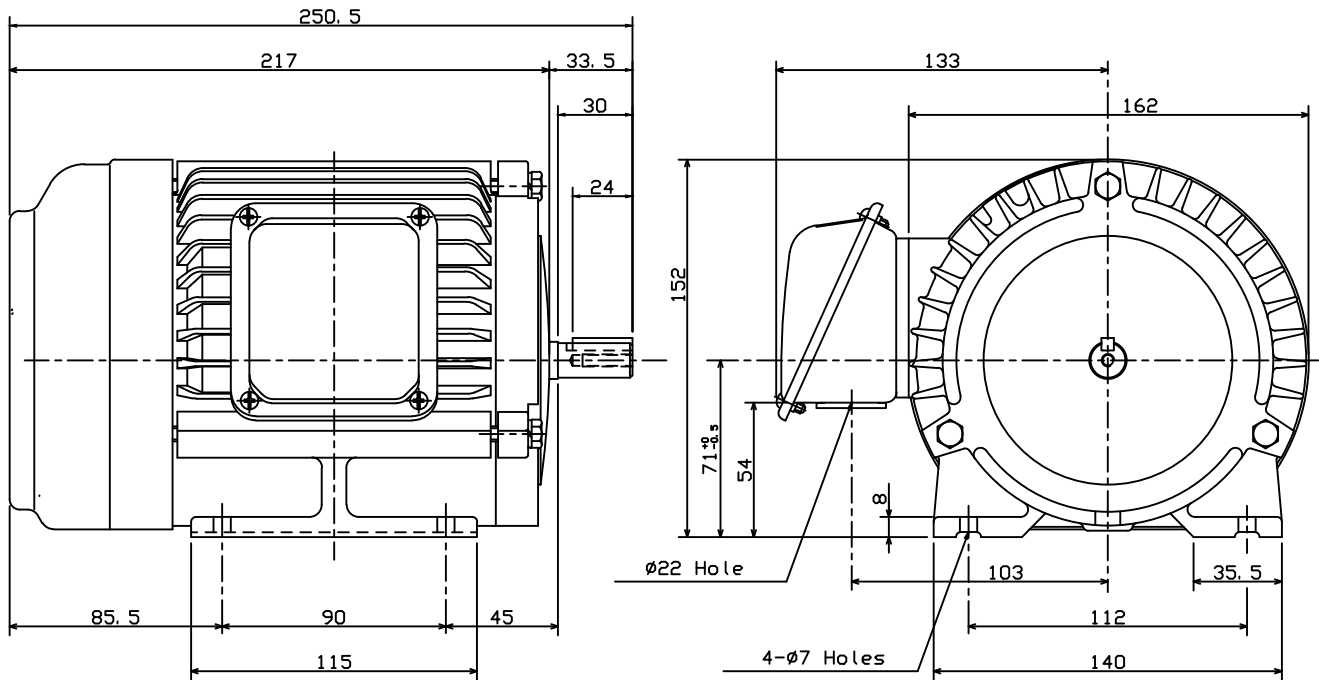
3-PHASE INDUCTION MOTOR

FRAME NO. 71

Pole	HP	KW	Hz	VOLT	r/min(rpm)
.

Ins	Rating	Dimension in	Approx Weight	Bearings	
E	.	mm		DE: 6202ZZ	NDE: 6202ZZ

Totally Enclosed Fan Cooled Type. Squirrel-cage Rotor.



4	12. 23. 03	TE MARK	J. H. LIANG
---	------------	---------	-------------

DWN.	S. L. CHIAN	08 · 10 · 04	東元電機股份有限公司 TECO Electric & Machinery Co., Ltd. TAIWAN	DWG NO. 31049M842550
CHKD.	C. S. LO	08 · 26 · 04		
APPD.	M. C. TSAI	08 · 26 · 04		

R