



# OUTLINE DIMENSIONS

MOTOR TYPE:  
AEHF

DATE

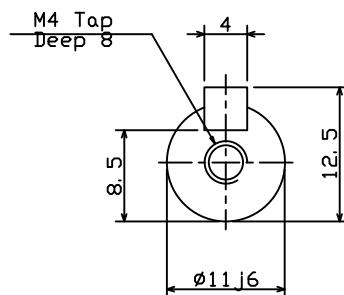
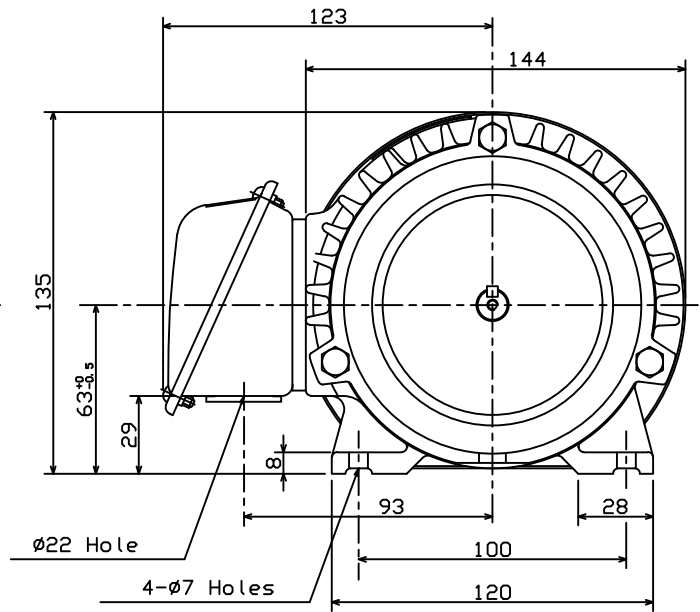
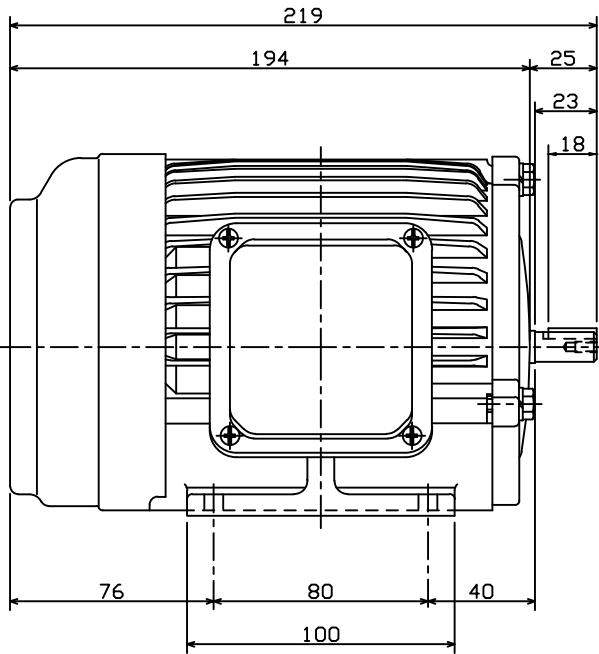
3-PHASE INDUCTION MOTOR

FRAME NO. 63

Pole	HP	KW	Hz	VOLT	r/min(rpm)
.	.	.	.	.	.

Ins	Rating	Dimension in	Approx Weight	Bearings	
E	.	mm		DE: 6201ZZ	NDE: 6201ZZ

Totally Enclosed Fan Cooled Type. Squirrel-cage Rotor.



3	12. 23. 03	TE MARK	J. H. LIANG
---	------------	---------	-------------

DWN.	W. F. PON	07 · 18 · 08	東元電機股份有限公司 TECO Electric & Machinery Co., Ltd. TAIWAN	DWG NO. 31049M841350
CHKD.	H. C. YAN	07 · 21 · 08		
APPD.	M. C. TSAI	07 · 21 · 08		

R