



OUTLINE DIMENSIONS

MOTOR TYPE:
AEUF--

DATE

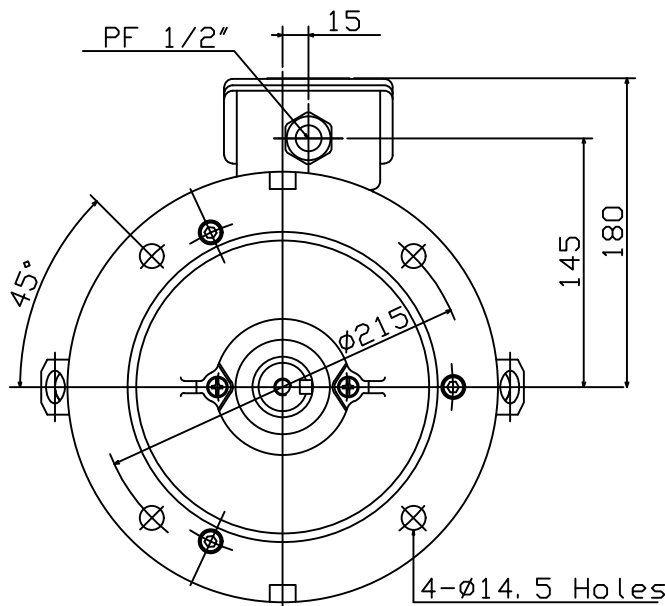
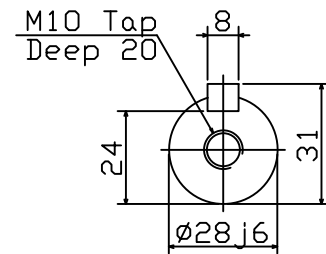
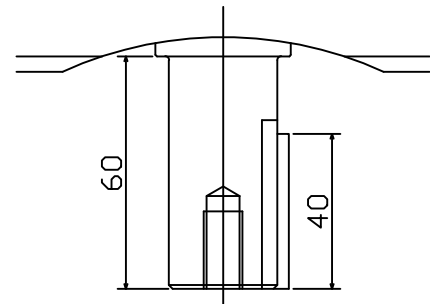
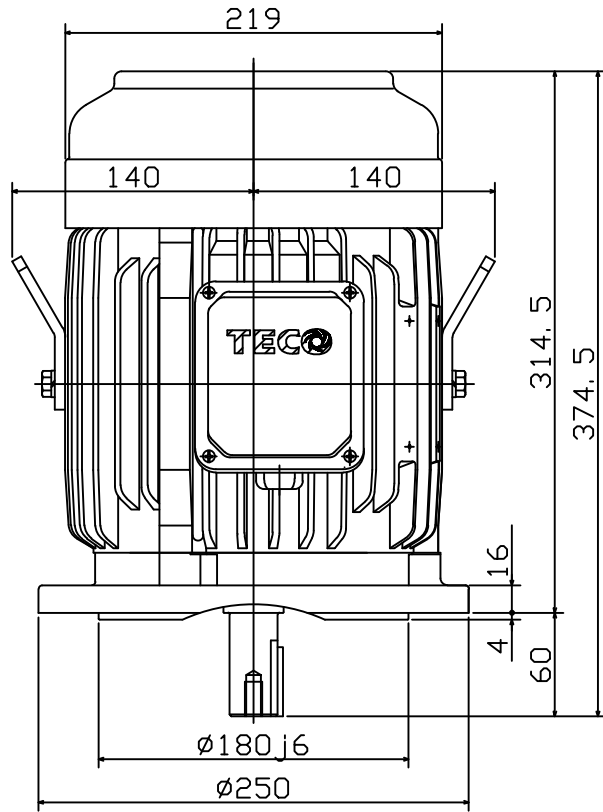
3-PHASE INDUCTION MOTOR

FRAME NO. 100L

Pole	HP	KW	Hz	VOLT	r/min
.

Ins	Rating	Dimension in	Approx Weight	Bearings
F	CONT.	mm		DE: 6206ZZ NDE: 6305ZZ

Totally Enclosed Fan-cooled Vertical Type. Squirrel-cage Rotor.



- Note:
1. IP55 Protection.
 2. CABLE GLAND (PF 1/2") SUITABLE FOR RANGE Ø12~Ø7.

SA20180477

DWG.	簡學民	03.08.18
CHKD.	簡學民	03.08.18
APPD.	徐聰豪	03.08.18

東元電機股份有限公司
TECO Electric & Machinery Co., Ltd.
 TAIWAN

DWG NO.
 31049R294750