



OUTLINE DIMENSIONS

MOTOR TYPE:
AEUF

DATE

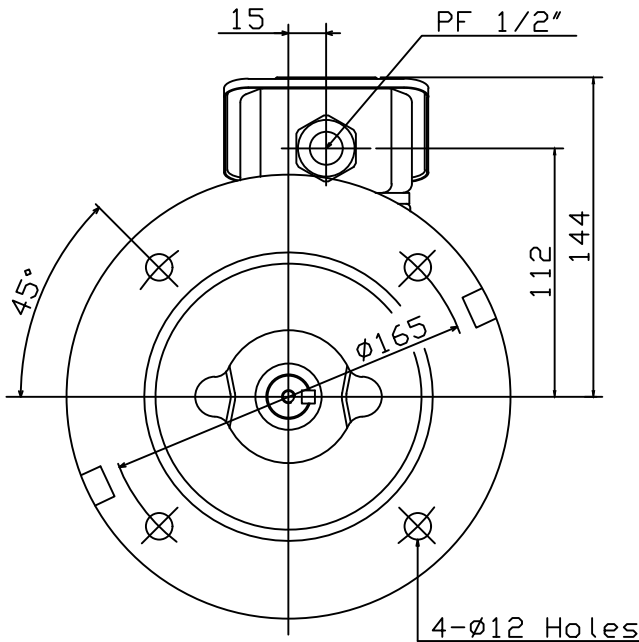
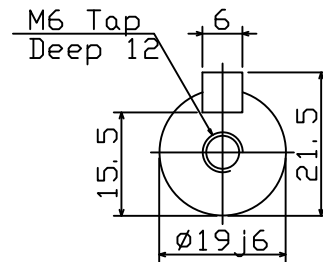
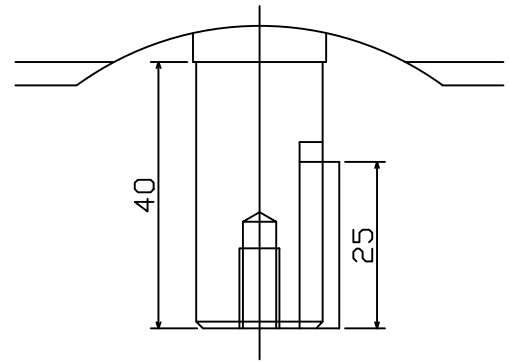
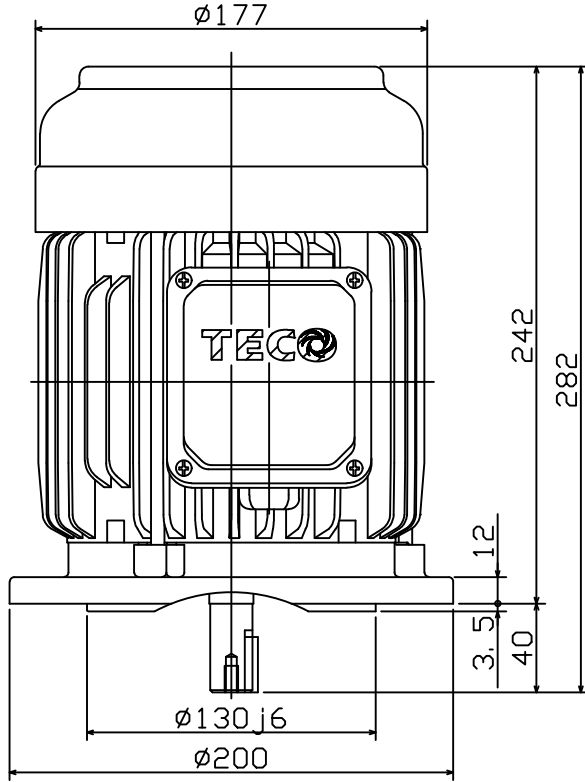
3-PHASE INDUCTION MOTOR

FRAME NO. 80

Pole	HP	KW	Hz	VOLT	r/min
.

Ins	Rating	Dimension in	Approx Weight	Bearings	
F	CONT.	mm		DE: 6204ZZ	NDE: 6204ZZ

Totally Enclosed Fan-cooled Vertical Type. Squirrel-cage Rotor.



- Note:
1. IP55 Protection.
 2. CABLE GLAND (PF 1/2") SUITABLE FOR RANGE $\phi 12 \sim \phi 7$.

SA20170711--

①	08. 28. 17	T 箱電纜頭改用电纜線固定具	高俊民
---	------------	----------------	-----

DWG.	高俊民	05.24.17	東元電機股份有限公司 TECO Electric & Machinery Co., Ltd. TAIWAN	DWG NO.	31049R292811
CHKD.	高俊民	05.24.17			
APPD.	楊文?	05.24.17			