



OUTLINE DIMENSIONS

MOTOR TYPE:
AEUF--

DATE

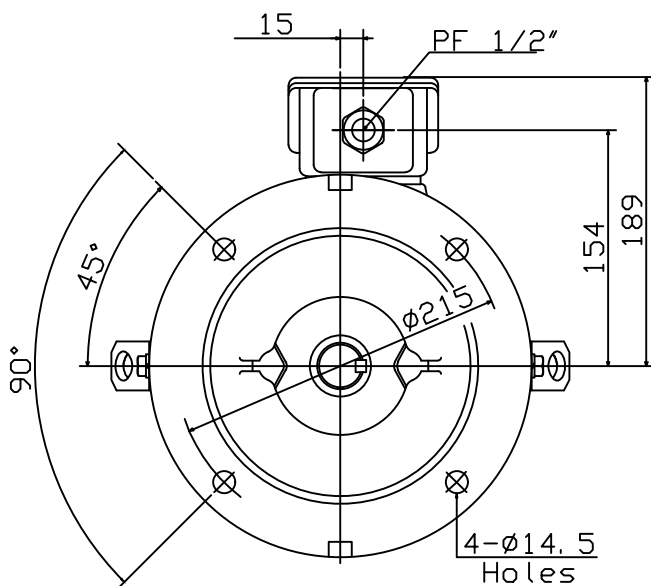
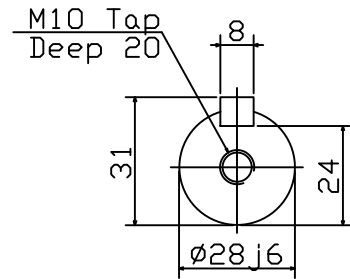
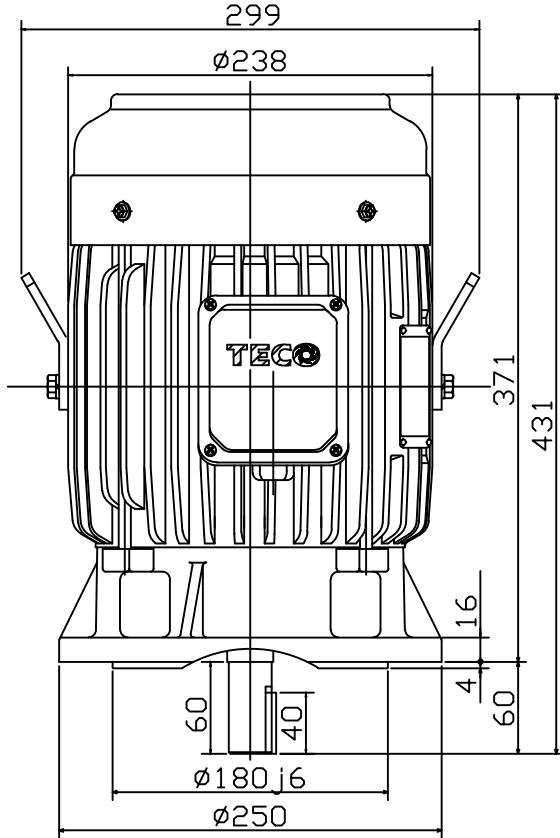
3-PHASE INDUCTION MOTOR

FRAME NO. 112M

Pole	HP	KW	Hz	VOLT	r/min
.

Ins	Rating	Dimension in	Approx Weight	Bearings
F	CONT.	mm	51Kg	DE: 6306ZZ NDE: 6306ZZ

Totally Enclosed Fan-cooled Vertical Type. Squirrel-cage Rotor.



Note:

- IP55 Protection.
- CABLE GLAND(PF1/2") SUITABLE FOR RANGE ø12~ø7.

SA20180477--

10. 05. 17 增電纜線固定具

高俊民

DWG.	高俊民	05.24.17
CHKD.	高俊民	05.24.17
APPD.	楊文?	05.24.17

東元電機股份有限公司
TECO Electric & Machinery Co., Ltd.
 TAIWAN

DWG NO.
 31049R288951