



OUTLINE DIMENSIONS

MOTOR TYPE:
AEHF--

DATE

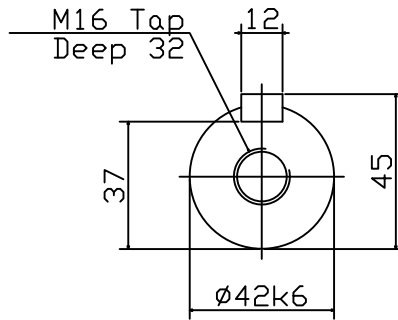
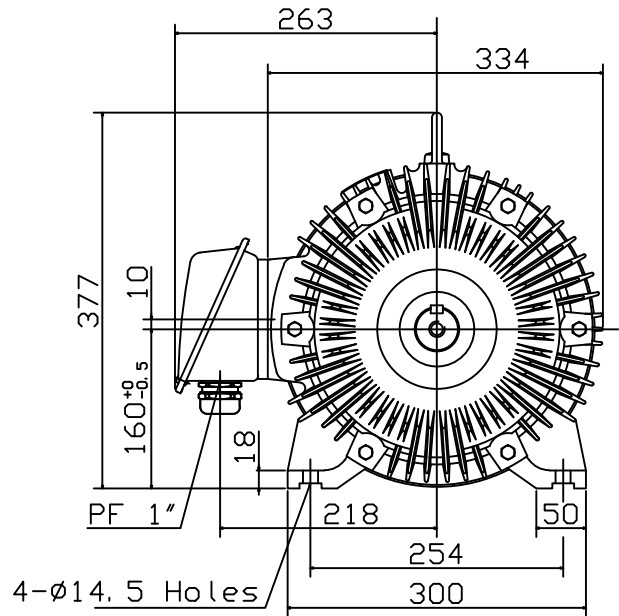
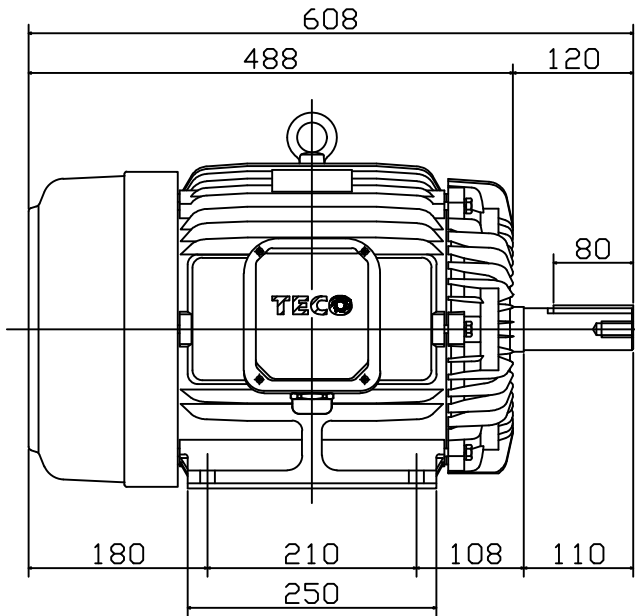
3-PHASE INDUCTION MOTOR

FRAME NO. 160M

Pole	HP	KW	Hz	VOLT	r/min
.

Ins	Rating	Dimension in	Approx Weight	Bearings
F	CONT.	mm		DE: 6309ZZ NDE: 6307ZZ

Totally Enclosed Fan-Cooled Type, Squirrel-Cage Rotor.



Note:

1. IP55 Protection.
2. CABLE GLAND(PF 1")
SUITABLE FOR RANGE Ø25~Ø18

SA20180476--

DWG.	簡學民	03.08.18
CHKD.	簡學民	03.08.18
APPD.	徐聰豪	03.08.18

東元電機股份有限公司
TECO Electric & Machinery Co., Ltd.
 TAIWAN

DWG NO.
 31057M022600