



OUTLINE DIMENSIONS

MOTOR TYPE:
AEHF--

DATE

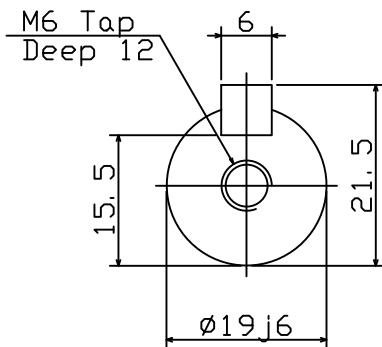
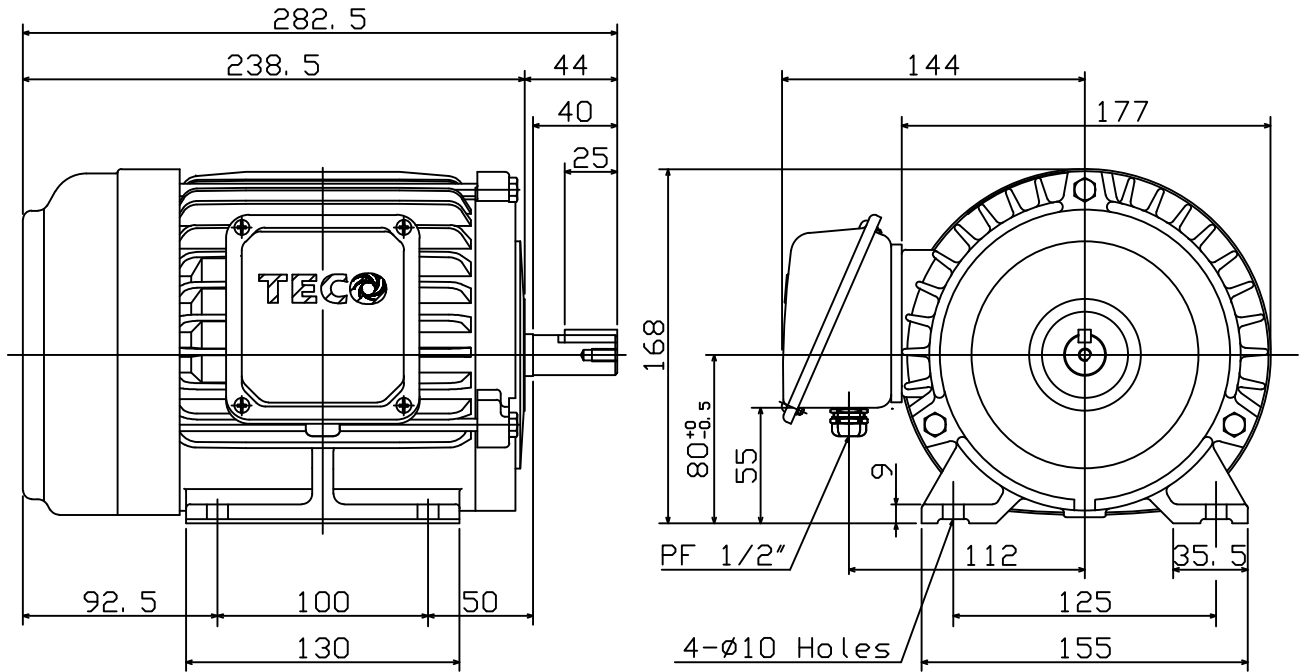
3-PHASE INDUCTION MOTOR

FRAME NO. 80

Pole	HP	KW	Hz	VOLT	r/min
.

Ins	Rating	Dimension in	Approx Weight	Bearings
F	CONT.	mm		DE: 6204ZZ NDE: 6204ZZ

Totally Enclosed Fan Cooled Type. Squirrel-cage Rotor.



- Note:
1. IP55 Protection.
 2. CABLE GLAND(PF 1/2") SUITABLE FOR RANGE $\phi 12 \sim \phi 7$.

SA20180476--

DWG.	簡學民	03.07.18
CHKD.	簡學民	03.07.18
APPD.	徐聰豪	03.07.18

東元電機股份有限公司
TECO Electric & Machinery Co., Ltd.
 TAIWAN

DWG NO.
 31049R306150