



OUTLINE DIMENSIONS
3-PHASE INDUCTION MOTOR

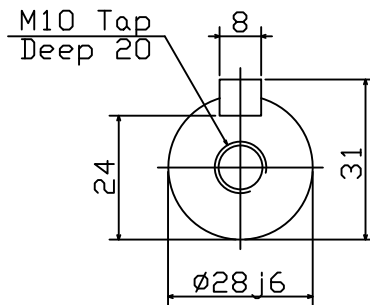
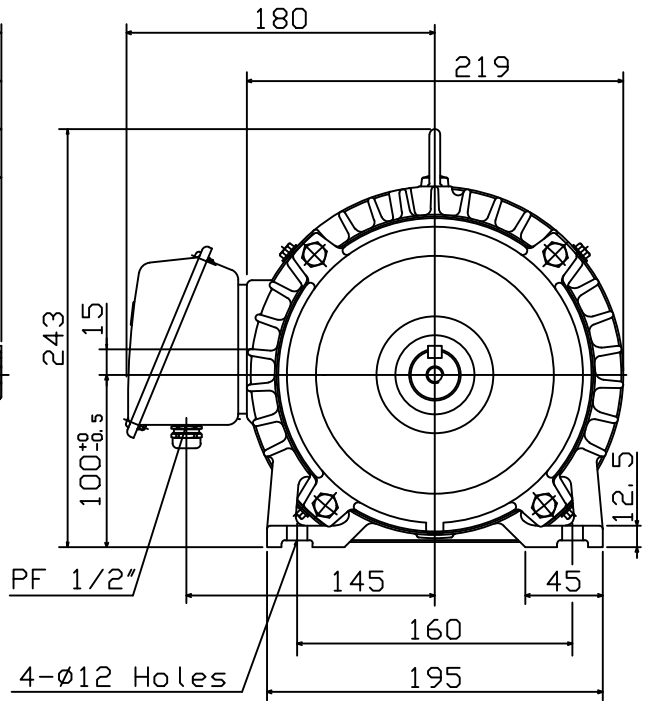
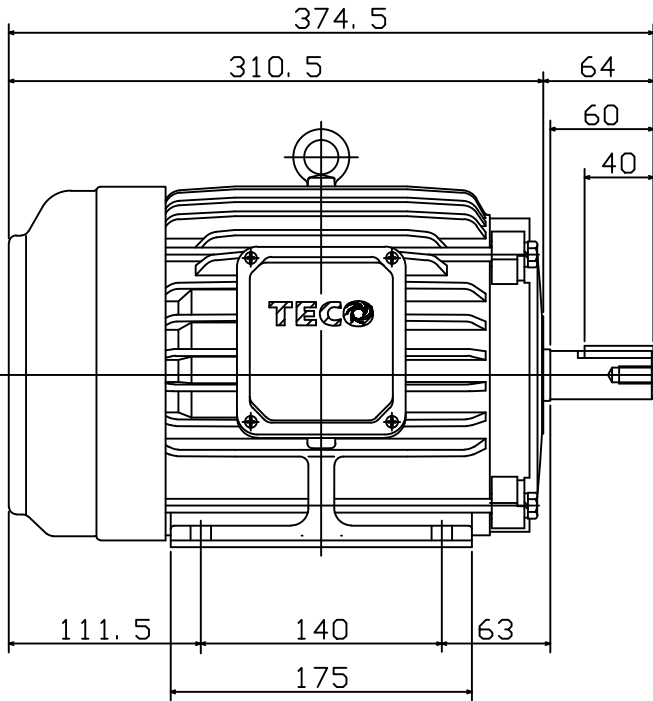
MOTOR TYPE:
AEHF--
FRAME NO. 100L

DATE

Pole	HP	KW	Hz	VOLT	r/min
.

Ins	Rating	Dimension in	Approx Weight	Bearings
F	CONT.	mm		DE: 6206ZZ NDE: 6305ZZ

Totally Enclosed Fan Cooled Type. Squirrel-cage Rotor.



- Note:
- IP55 Protection.
 - CABLE GLAND(PF 1/2")
SUITABLE FOR RANGE Ø12~Ø7

SA20180476--

DWG.	簡學民	03.07.18	東元電機股份有限公司 TECO Electric & Machinery Co., Ltd. TAIWAN	DWG NO.	31049R304220
CHKD.	簡學民	03.07.18			
APPD.	徐聰豪	03.07.18			