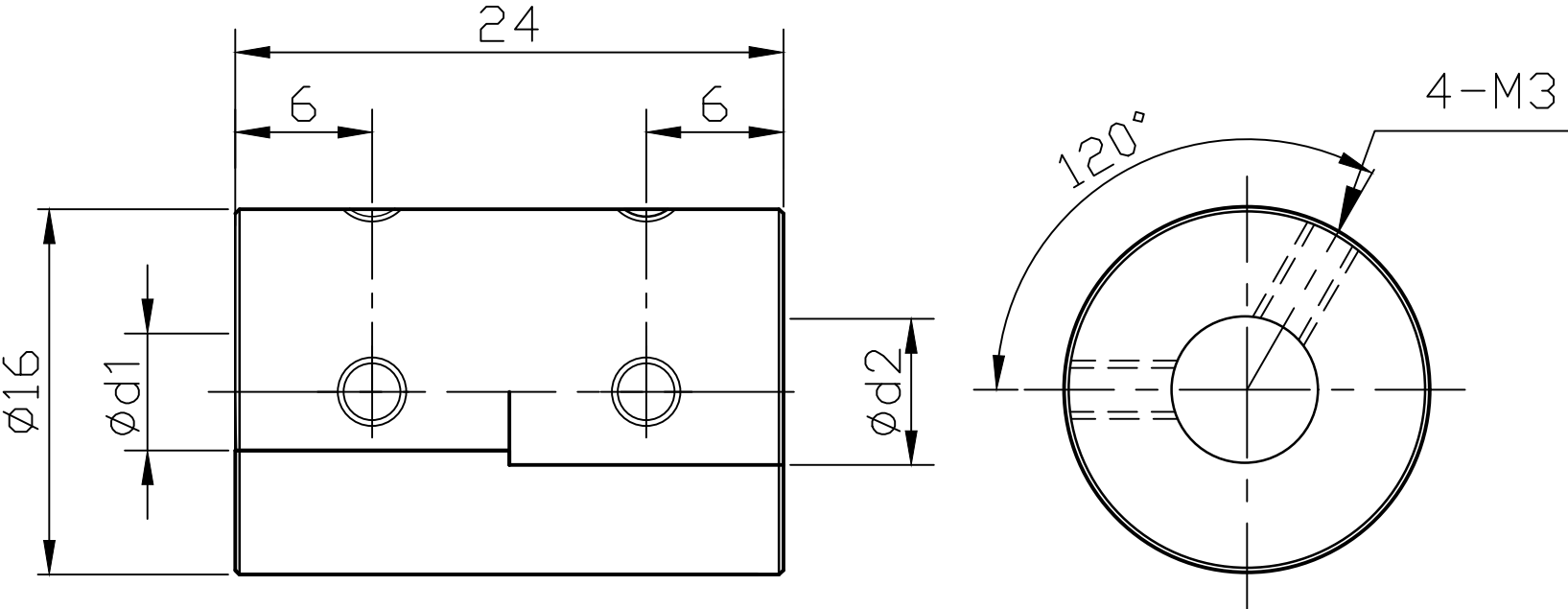


註：未標示之倒角為0.2-0.3C



STOCK BORES: 5~8mm

TORQUE: 0.3~0.6N.m

DWG NO. (PART NO.)

SRCS-16-d1-d2