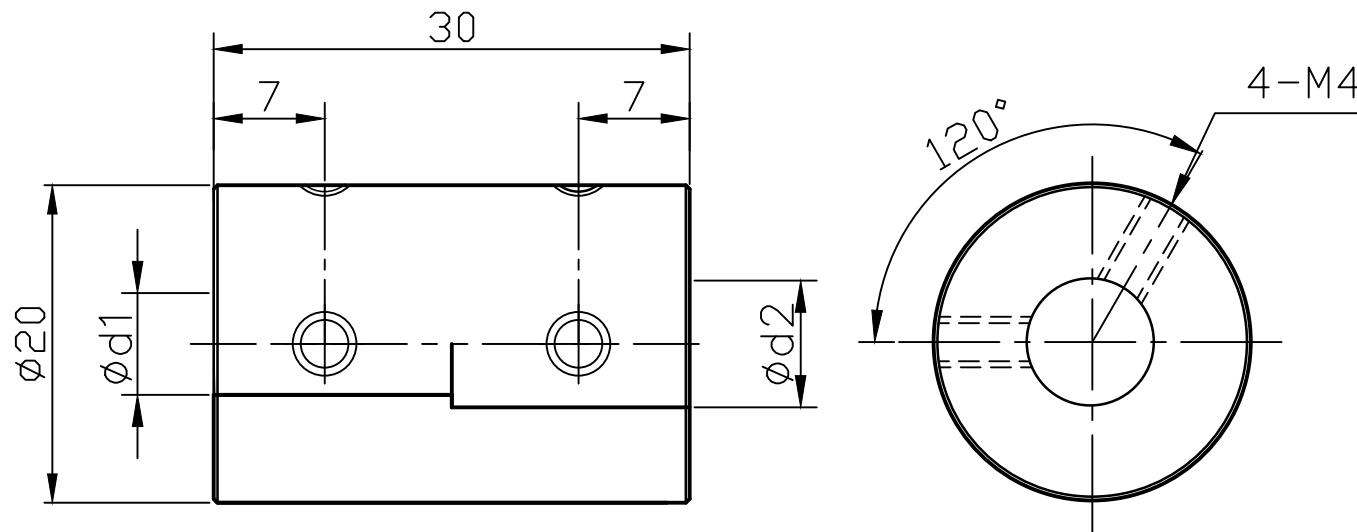


註：未標示之倒角為0.2-0.3C



STOCK BORES: 6~10mm  
TORQUE: 0.5~1N.m

DWG NO. (PART NO.)

SRC-20-d1-d2