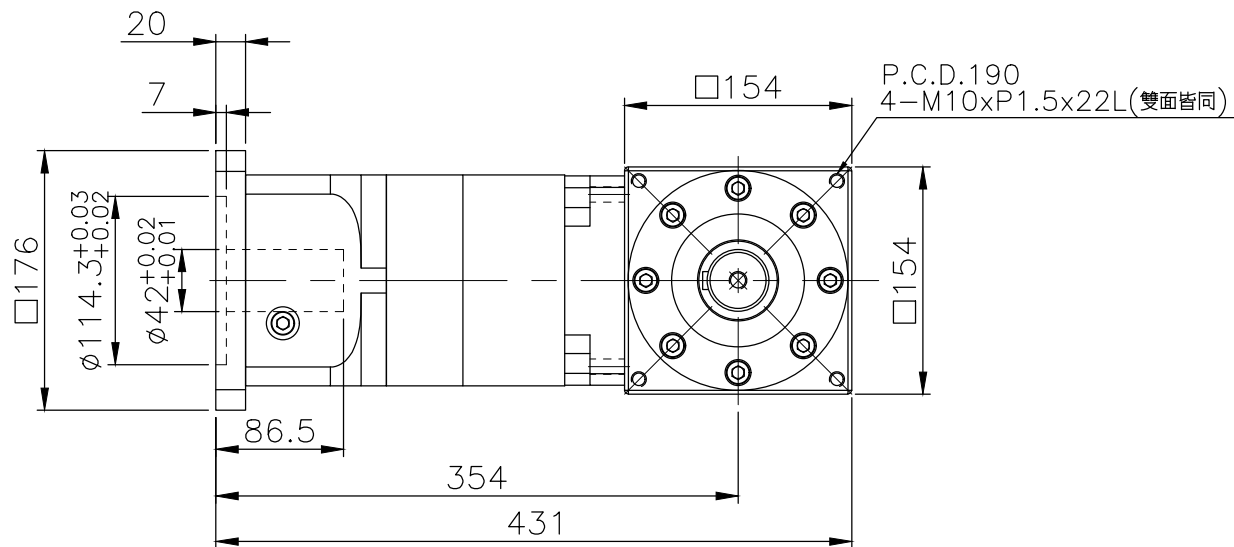
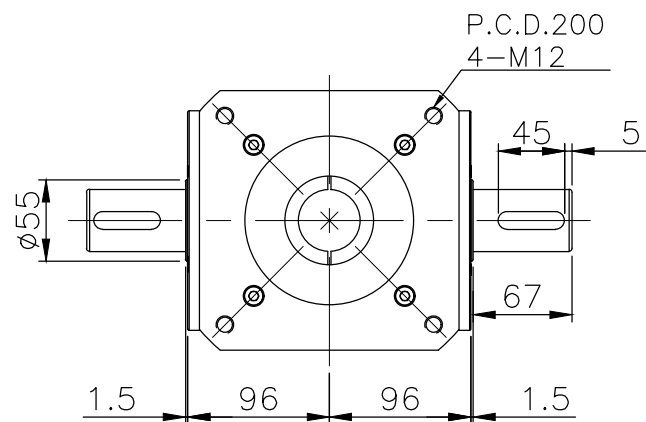


A VIEW



Material		DWG. NO.	2019	REV. NO.	2019
Treatment		PRT. NO.	RAH150-L2-XX-2S-42-114.3-200-M12	Drawing	Aaron
Hardness		Scale	連接	Check	