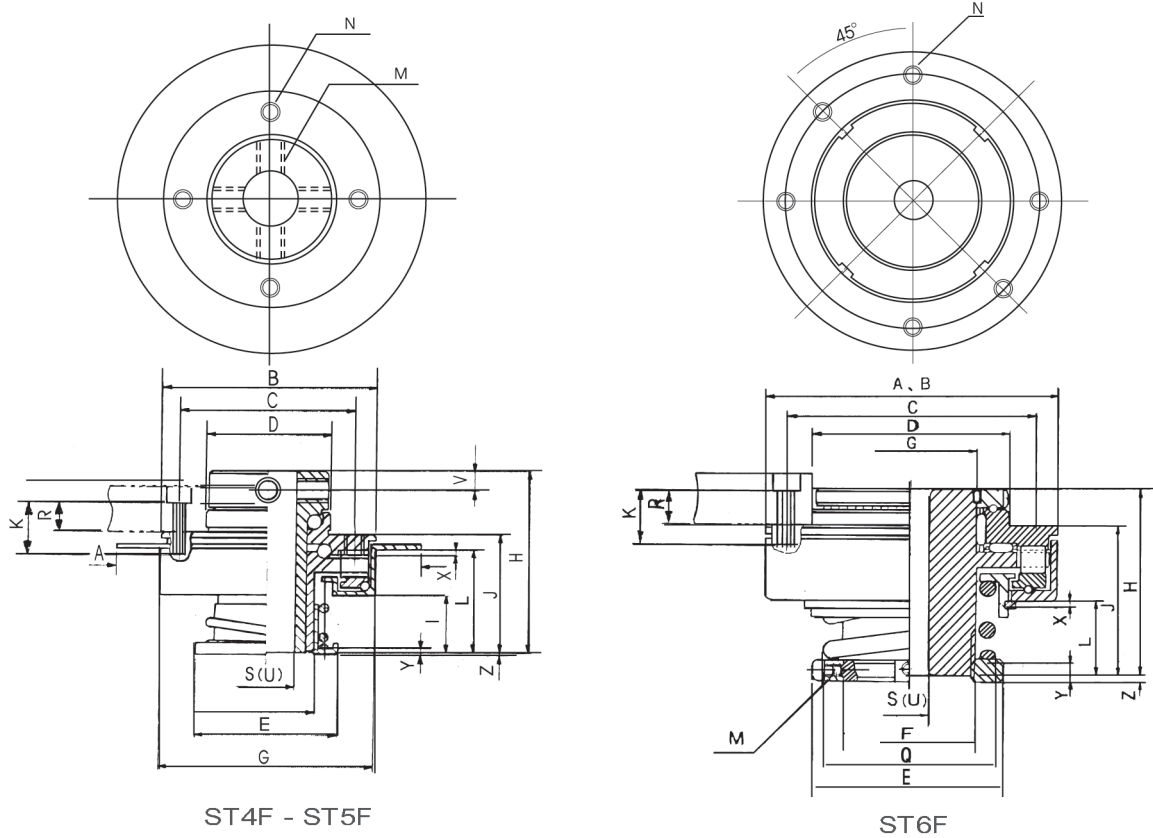


STF 精密定位型扭力限制器 / Accuracy Positioning Type



ST4F - ST5F

ST6F

◆ 尺寸 / Dimension

尺寸單位：mm

規格 No.	扭力 T kg.m	A	B	C	D	E	F	G	H	I	J	K	L	M	N	Q	S	U	V	X	(Z)
ST4F-007C	0.03~0.07									11.2			21.2							1.1	0.7
ST4F-010C	0.04~0.10	64	64	PCD	26	30	M20	46	38	11.4			21.4	4.M5			7	12	4	1.3	0.5
ST4F-030C	0.01~0.30			36	h7		P1			11.2	25	R+4.5	21.2	P0.8	4-M4					1.1	0.7
ST4F-045C	0.15~0.45									11.4			21.4	深4.7						1.3	0.5
ST5F-030C	0.08~0.30									17.5			29.0							0.9	1.3
ST5F-060C	0.15~0.60	82	63	PCD	35	44	M30	63	50	18.0			29.5	4.M6	4-M4				1.4	0.8	
ST5F-100C	0.20~1.00			50	h7		P1.5			17.5	34	R+5.5	29.0	P1	P0.7		9	20	6	0.9	1.3
ST5F-180C	0.40~1.80									18.0			29.5		深5.7					1.4	0.8
ST6F-07C	0.2~0.7												25.0		6-M6					1.3	3.9
ST6F-1C	0.3~1.0	88	88	PCD	60	58	M40	M40	60				25.5	2.M5	P1		12.5	27		2.0	3.2
ST6F-3C	1.0~3.0			75	h7		P1.5	P1.5			48	R+7	25.0	P0.8	深7					1.3	3.9
ST6F-5C	1.5~5.0												25.5							2.0	3.2
ST7F-7A	2.2~7												30.0		6-M6					1.6	1.7
ST7F-12A	4~12	128	113	PCD	75	88	55	M52	70				31.0	2.M5	P1				2.5	0.9	
ST7F-25B	8~25			95	h7		P1.5				55	R+9	30.0	P0.8	深9	102	16.5	35		1.6	1.4
ST7F-40B	12~40												31.0							2.5	0.6
ST8F-12A	5~12												37.5		6-M8					1.6	0
ST8F-20A	7~20	164	138	PCD	100	109	75	M72	82				38.5	2.M5	P1.25		130	16.5	48	2.5	-0.8
ST8F-40B	12~40			120	h7		P1.5				65	R+11	37.5	P0.8	深11					1.6	-0.7
ST8F-60B	20~60												38.5							2.5	-1.5
ST11F-25A	8~25												42.0		6-M10					2.0	2.0
ST11F-35A	12~35	198	170	PCD	120	134	96	M90	95				43.0	2.M5	P1.5		160	16.5	62	3.0	1.0
ST11F-85B	22~85			148	h7		P1.5				75	R+13	42.0	P0.8	深13					2.0	-0.5
ST11F-120B	35~120												43.0							3.0	-1.5
ST14F-30A	11~30												43.5		6-M12					2.6	3.8
ST14F-45A	15~45	236	206	PCD	150	158	120	M120	105				45.0	2.M5	P1.75		186	30	90	4.0	2.4
ST14F-120B	42~120			180	h7		P2				85	R+15	43.5	P0.75	深15					2.6	2.8
ST14F-180B	60~180												45.0							4.0	1.4
ST18F-130A	40~130												59.0		6-M16					3.3	5.0
ST18F-180A	80~180	280	252	PCD	180	220	165	M140	135				60.5	2.M5	P2		236	50	110	5.0	3.3
ST18F-300B	150~300			215	h7		P2				110	R+17	59.0	P0.75	深20					3.3	5.2
ST18F-500B	300~500												60.5							5.0	3.5